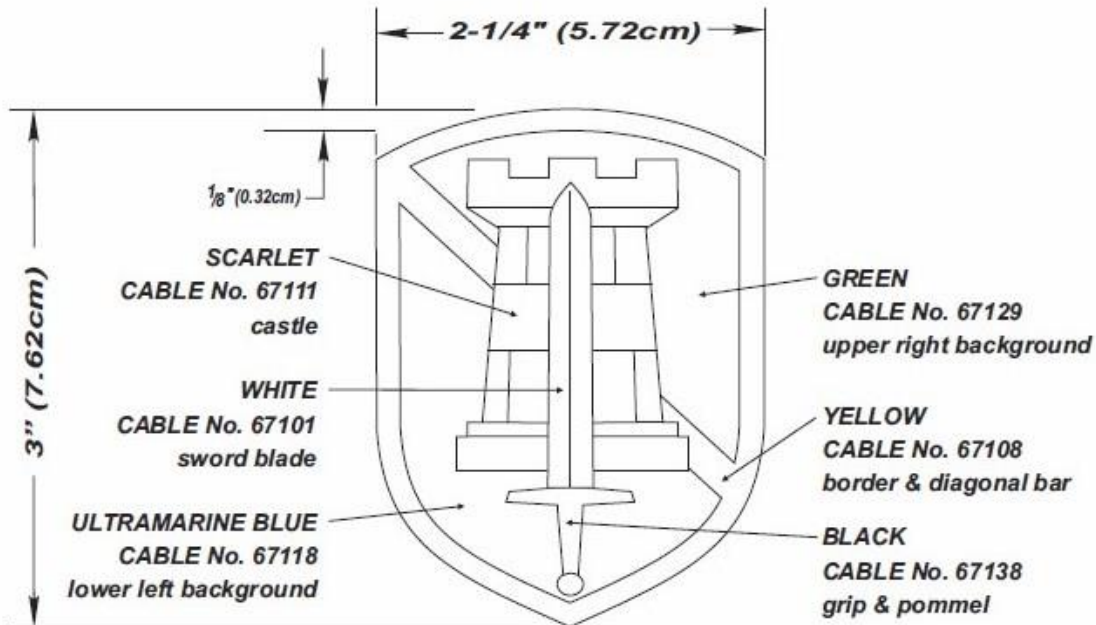


**FOR SUBDUED INSIGNIA  
ACU:**  
**WHITE, BLUE & GREEN AREAS  
TO BE FOLIAGE GREEN 67202.**  
**BLACK & YELLOW AREAS TO BE  
BLACK 67138. SCARLET AREAS  
TO BE BROWN 67136.**

**REVISIONS**

LTR	DESCRIPTION	DATE	APPROVED
A	STITCH COUNT INFORMATION ADDED.	22 SEP 2010	pm SAO TLC <i>Charles V. Mugno</i> CHARLES V. MUGNO DIRECTOR



**DESIGNED FOR OVEREDGE STITCHING**

**STITCH COUNT**

**7038 STITCHES (minimum)**

**90/2 DENIER**

**12/4 SPAN**

UNLESS OTHERWISE SPECIFIED DIMENSIONS ARE IN INCHES TOLERANCES ON FRACTIONS DECIMALS ANGLES

MATERIALS:  
TO BE MANUFACTURED IN ACCORDANCE WITH MIL-DTL-14652

EXAMINED	TLC	
CHECKED	pm	SAO
PREPARED	DMA	
APPROVED	<i>Charles V. Mugno</i> CHARLES V. MUGNO DIRECTOR	

THE INSTITUTE OF HERALDRY, DEPARTMENT OF THE ARMY  
9325 GUNSTON RD, RM S-113 FORT BELVOIR, VA 22060-5579

**SHOULDER SLEEVE INSIGNIA**  
**204TH MANEUVER**  
**ENHANCEMENT BRIGADE**

SIZE	CONTROL IDENT. NO	A - 1 - 1026
<b>A</b>	<b>22571</b>	
SCALE	FULL	DATE
		<b>10 MAY 2010</b>